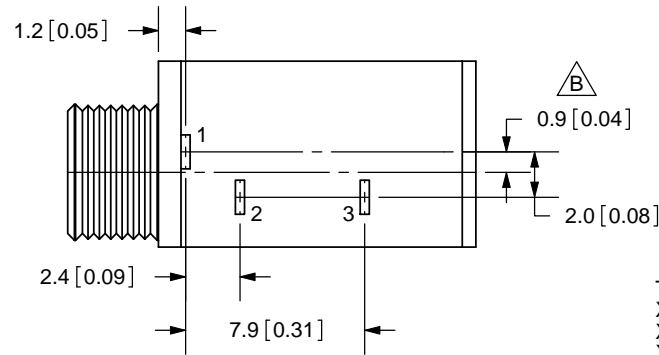
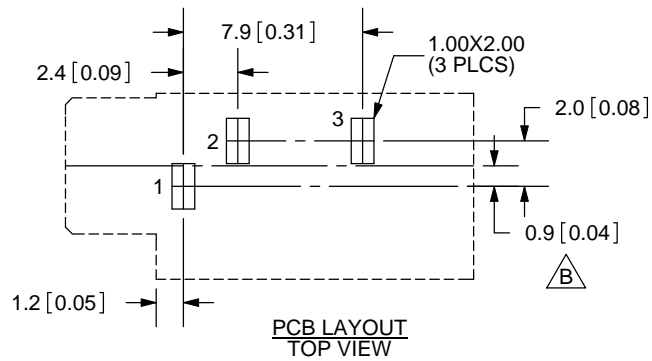
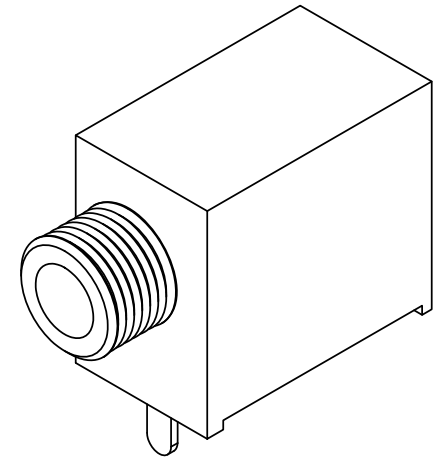
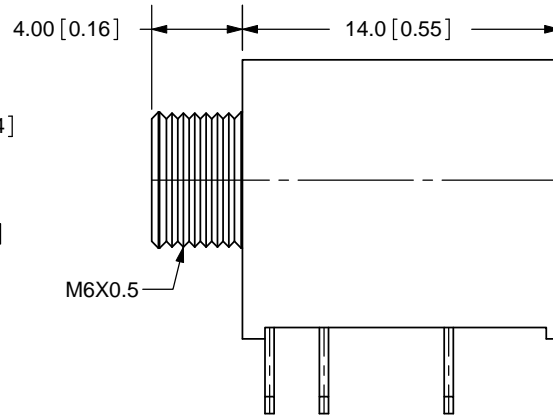
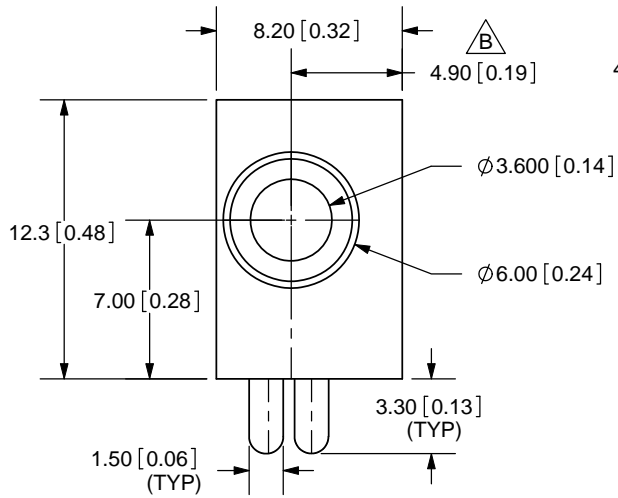


REV.	DESCRIPTION	DATE
A	NEW DRAWING	12/1/2005
B	updated dimensions	10/16/2007



TOLERANCE:
X.X ±0.2mm
X.XX ±0.1mm
X.XXX ±0.05mm



MODEL NO.	SJ1-3533
DIA.	THREADED M6X0.5
SCHEMATIC	

SPECIFICATIONS:
RATING: 12V DC @ 1A
CONTACT RESISTANCE: 30m OHMS MAX
INSULATION RESISTANCE: 50M OHMS MIN: 500V DC
VOLTAGE WITHSTAND: 500V AC R.M.S. FOR 1 MINUTE
LIFE: 5,000 CYCLES

	MATERIAL	PLATING
TERMINAL 1	Brass	Tin
TERMINAL 2	Brass	Tin
TERMINAL 3	Brass	Tin
SPRING	Stainless Steel	
BUSHING	Brass	Nickel
HOUSING	PBT	



20050 SW 112th Ave.
Tualatin, OR 97062
Phone: 503-612-2300
800-275-4899
Fax: 503-612-2383
Website: www.cui.com

TITLE:	3.5mm RIGHT ANGLE STEREO JACK	REV:	B
PART NO.	SJ1-3533	UNITS:	MM [INCHES]
DRAWN BY:	ZRJ	APPROVED BY:	
		SCALE:	3:1

PC FILE NAME:
SJ1-3533

COPYRIGHT 2007 BY CUI INC.